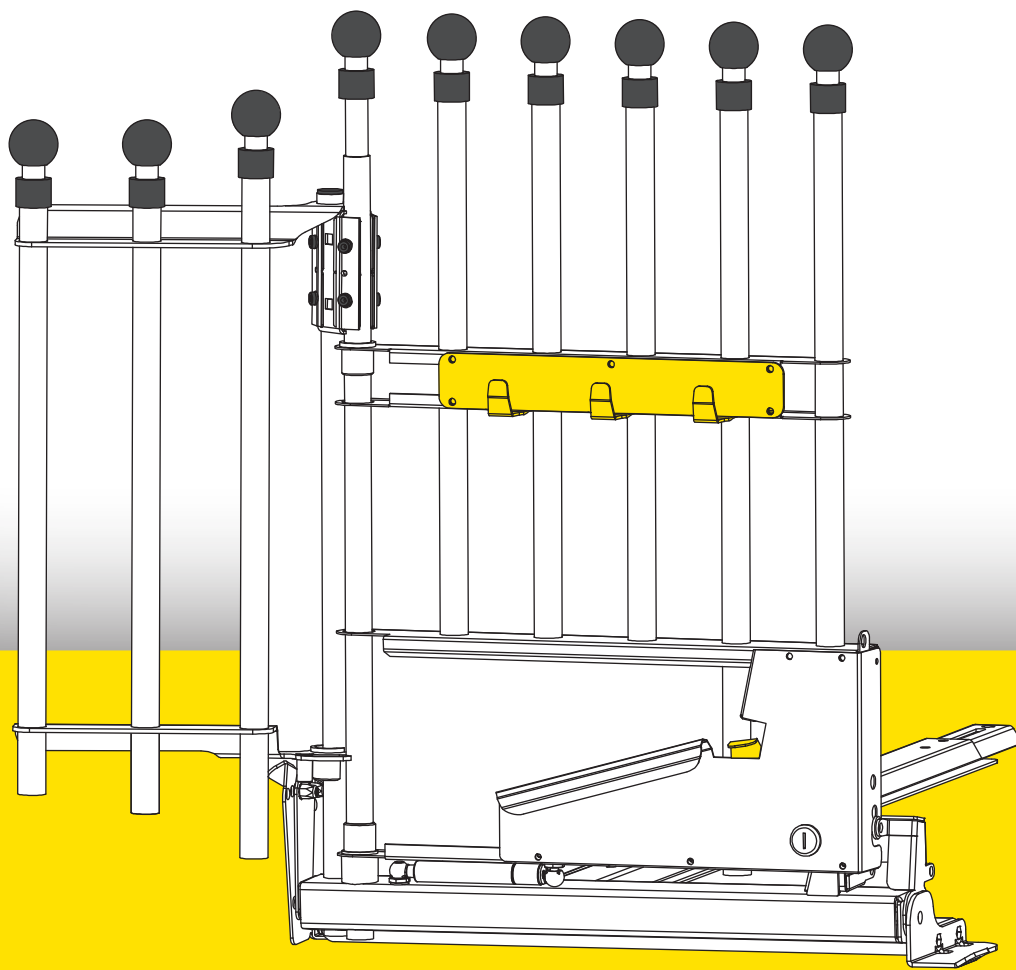


mimSAFE

www.mimsafe.com



ASSEMBLY INSTRUCTIONS

VARIOGATE

single



IMPORTANT

GENERAL

VarioGate is made to create an enclosed area of the entire luggage compartment that can be used for transport of dogs or anything else you want to keep protected. VarioGate is adjustable in terms of height, width and depth, making it suitable for most cars without a threshold in the rear.

The VarioGate is made of splinter proof and energy absorbing materials. It has undergone rigorous crash tests. It's design-protected and made of galvanized steel painted with a very weather-resistant polyurethane paint suitable for its use. The doors are equipped with a gas spring that keeps the door open when needed.

BEFORE YOU BEGIN

Ensure that you work on a flat surface. If the VarioGate is assembled indoors, protect the floor with a blanket or carpet to avoid damage during assembly. Read the instruction carefully before you begin, it gives you a better understanding when you work step by step during the assembly. You can assemble the VarioGate by yourself, but it helps a lot to be two during some of the assembly steps.

RECOMMENDED AREA OF USE

VarioGate should be installed in the luggage compartment of the car.

CRASH TEST

This model is crash tested at **Rise Research Institutes of Sweden AB** Frontal Impact test of a VarioGate according to ECE Regulation No. 17

Test protocol is available from the manufacturer on request.

DAILY INSPECTION

- Make sure the VarioGate is intact
- That there's no sharp edges
- That the door lock works
- Check the straps and that it is attached to the vehicle's cargo loops

CLEANING

Use a soft cloth with water and mild soap.

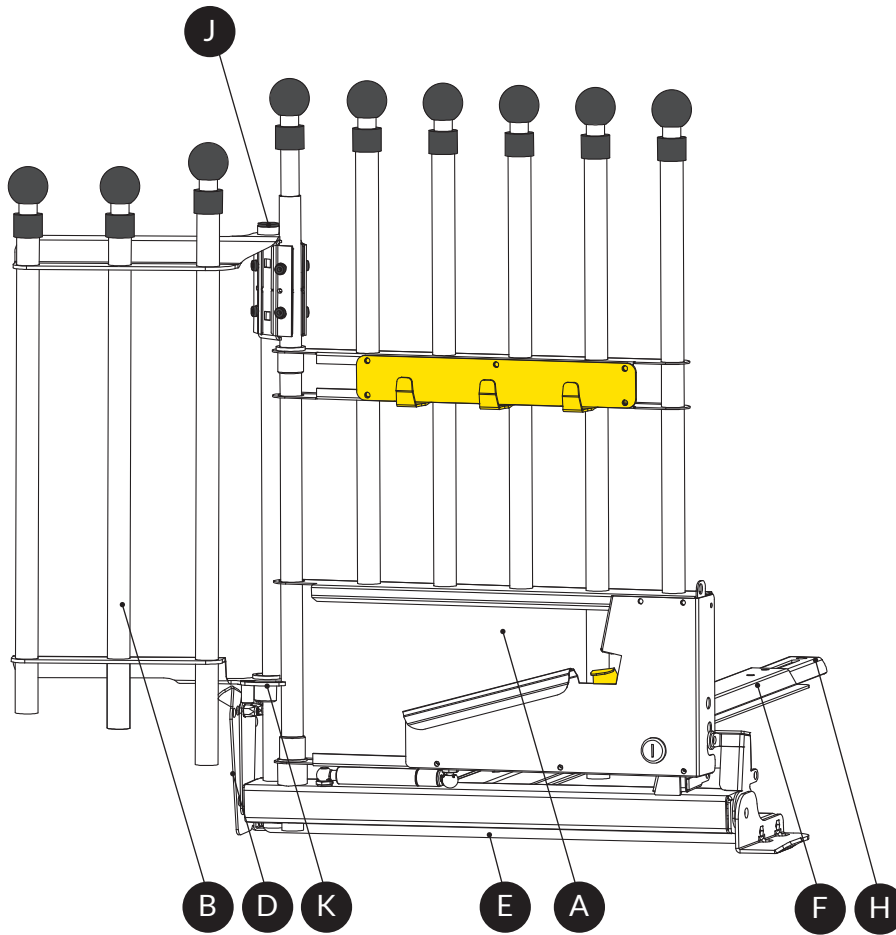
The story of MIMsafe

For more than 30 years, MIMsafe has worked with functional design and manufacturing of safety products for the modern automotive industry. With documentation from hundreds of crash tests and in close collaboration with the major car manufacturers, safe products have been developed and transformed into knowledge. Under the well-known brand name MIMsafe, we have become the leading manufacturer of crash tested and crush proofed non-whiplash dog cages all over the world.

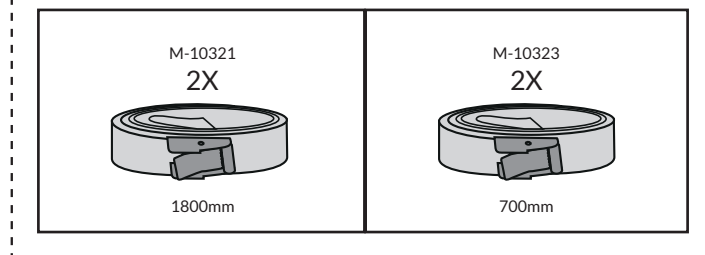
MANUFACTURER

MIM Construction AB
Kardavägen 80
461 38 Trollhättan
Sweden

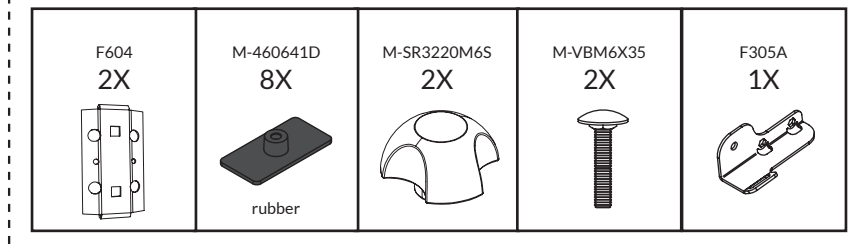
+46 10 55 00 450
info@mimsafe.com
www.mimsafe.com



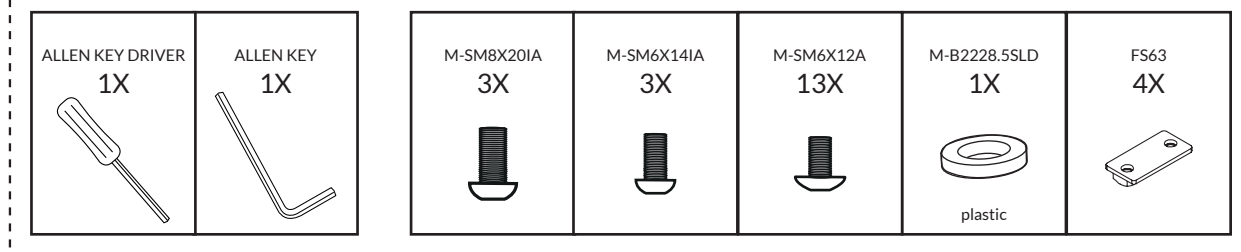
BAG #1 Product no. 00285-MS-1

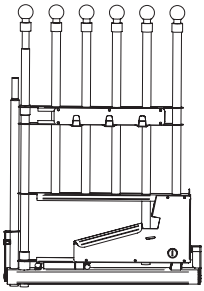


BAG #2 Product no. 53152-MS-2



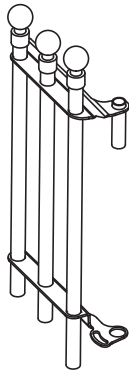
BAG #3 Product no. 53152-MS-3





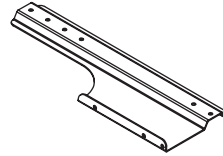
A Door section

FS606A	1X
Art.no	No of items



B Left wing

FS603-3	1X
Art.no	No of items



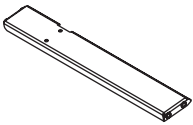
C Left foot

F337AL	1X
Art.no	No of items



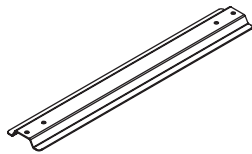
D Left angle plate

F337L	1X
Art.no	No of items



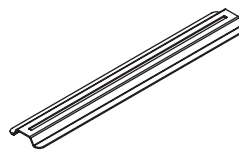
E Floor plate

F299C	1X
Art.no	No of items



F Foot plate #1

F336	1X
Art.no	No of items



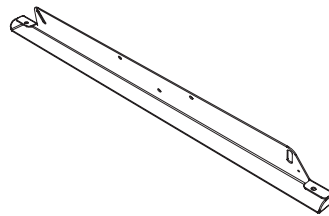
G Foot plate #2

F336A	1X
Art.no	No of items



H Foot plate #3

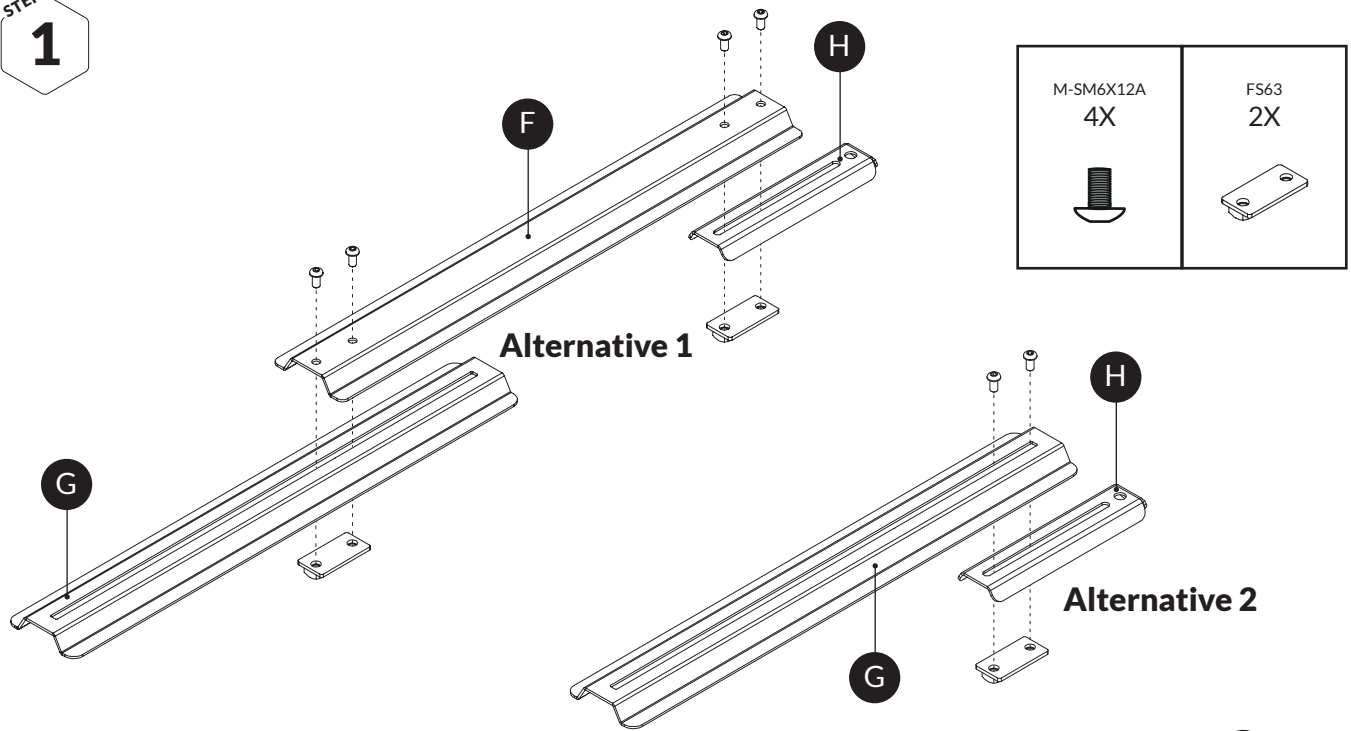
F336B	1X
Art.no	No of items



L Front floor plate

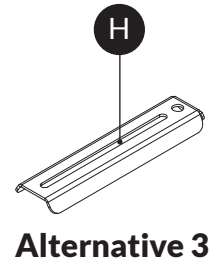
F530	1X
Art.no	No of items

STEP
1

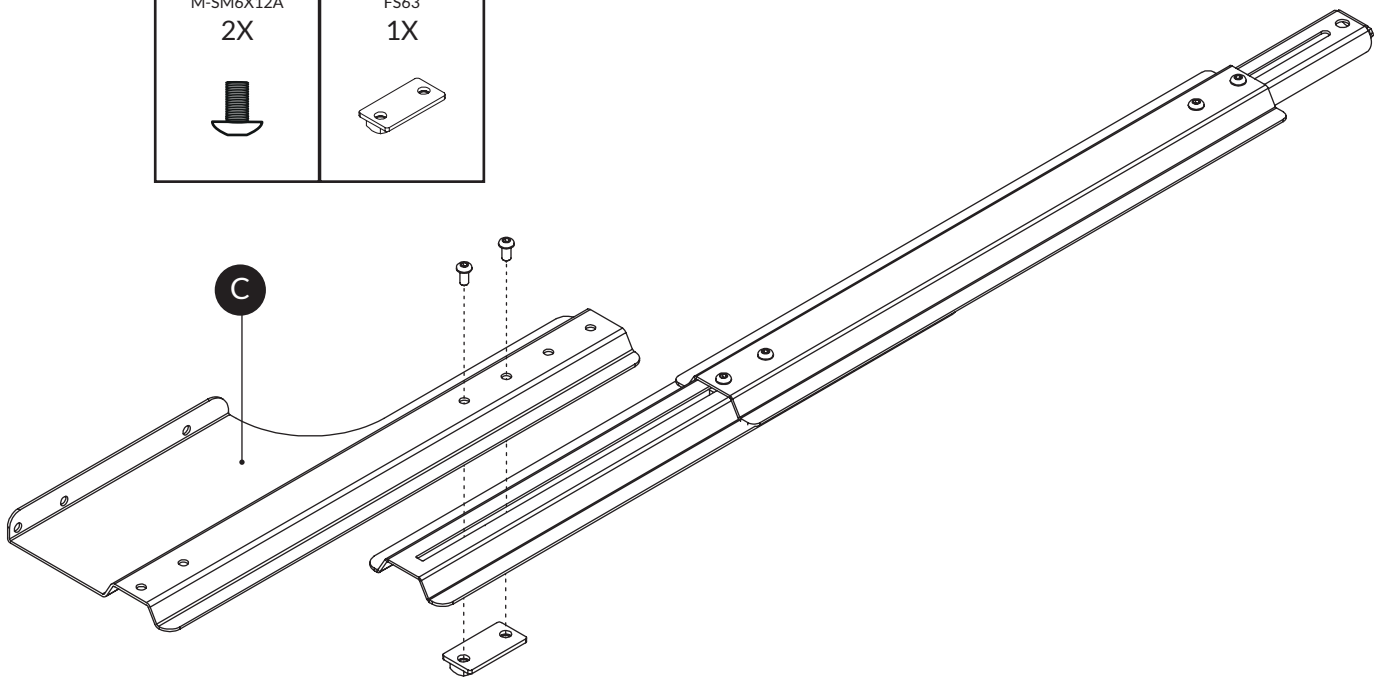
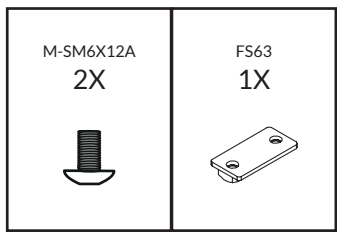


IMPORTANT!
The parts G and F are optional depending on the depth of your car's trunk



DEPTH BY POSSIBLE COMBINATIONS		
PARTS	MIN. DEPTH	MAX. DEPTH
G+F+H	1060mm	1500mm
G+H	670mm	1050mm
H	550mm	620mm

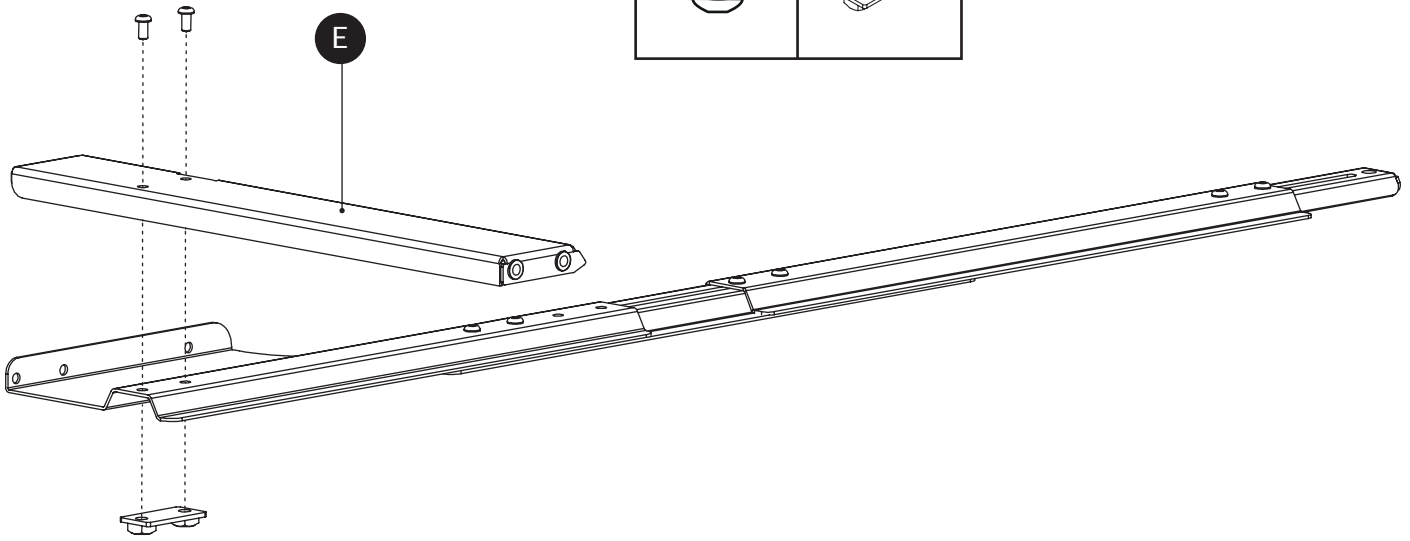


STEP
2

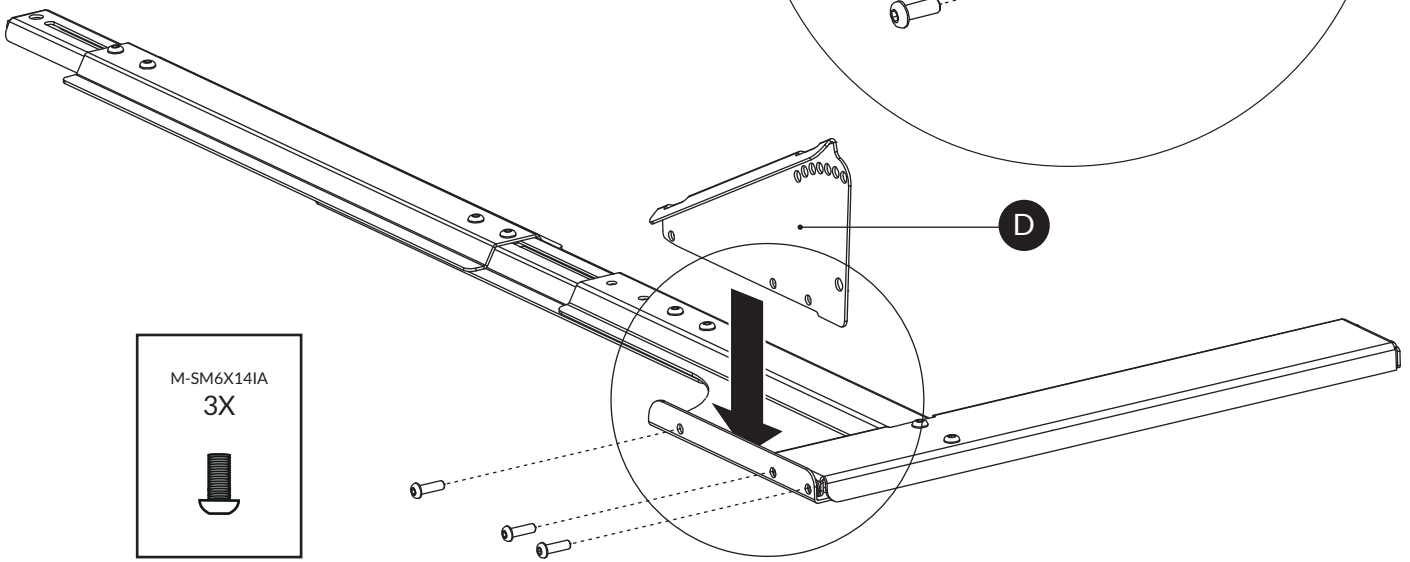
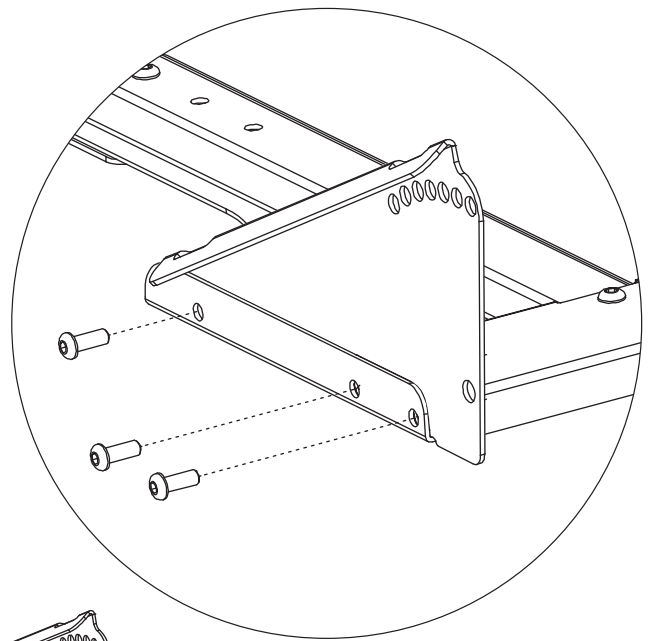


STEP
3

M-SM6X12A 2X	FS63 1X
	

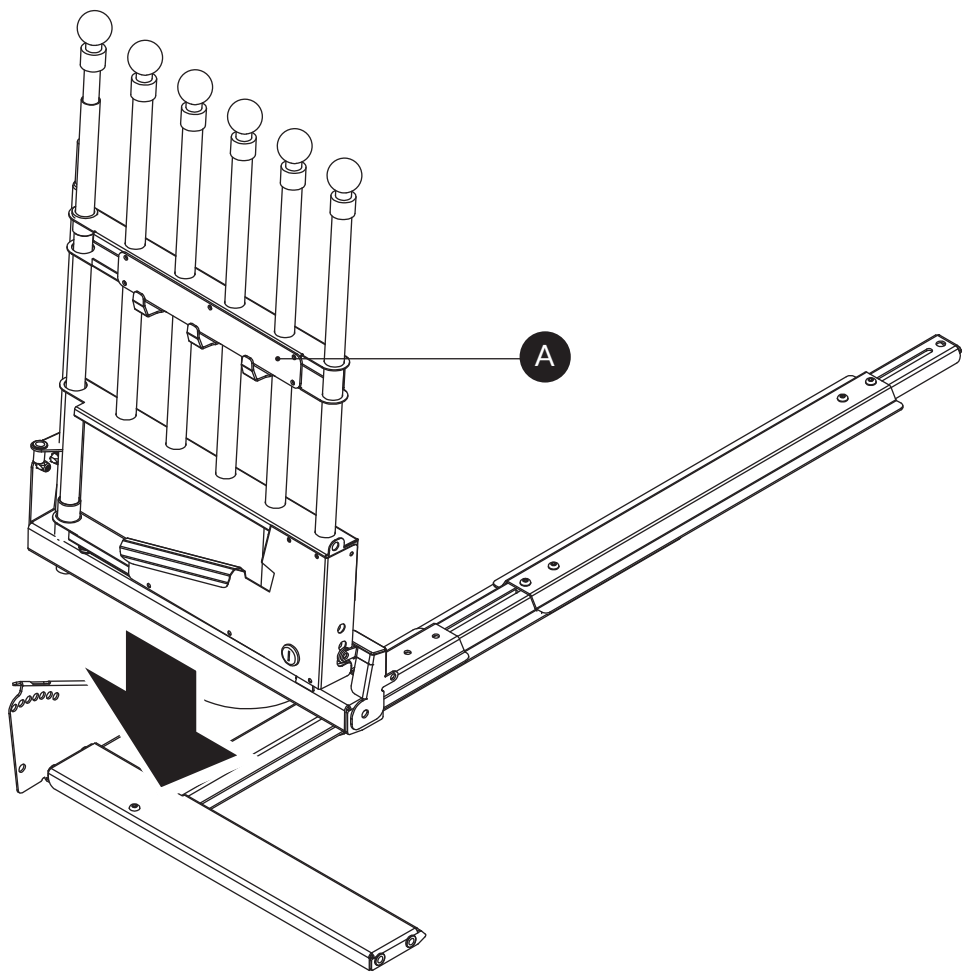


STEP
4



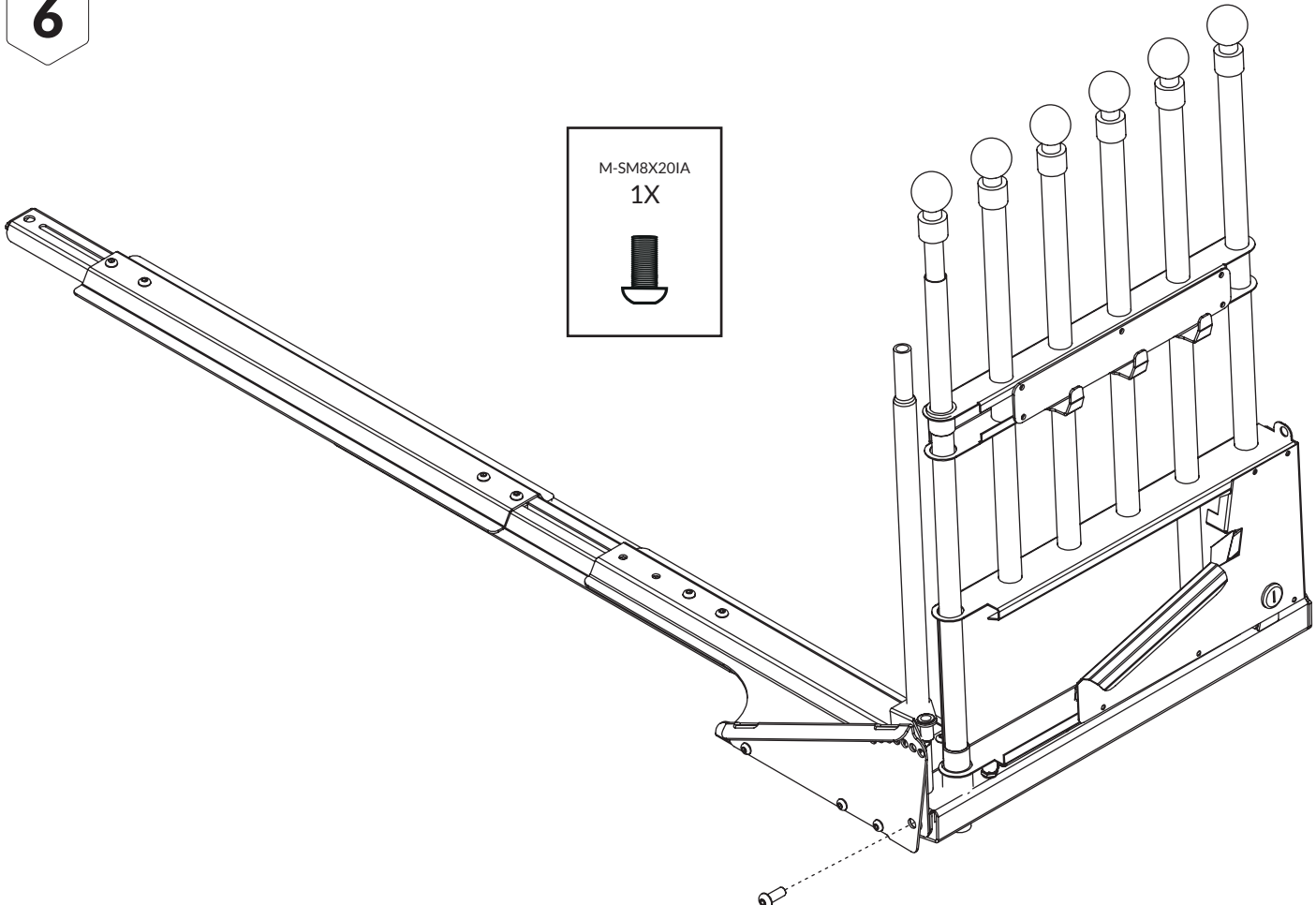
M-SM6X14IA 3X


STEP
5



STEP
6

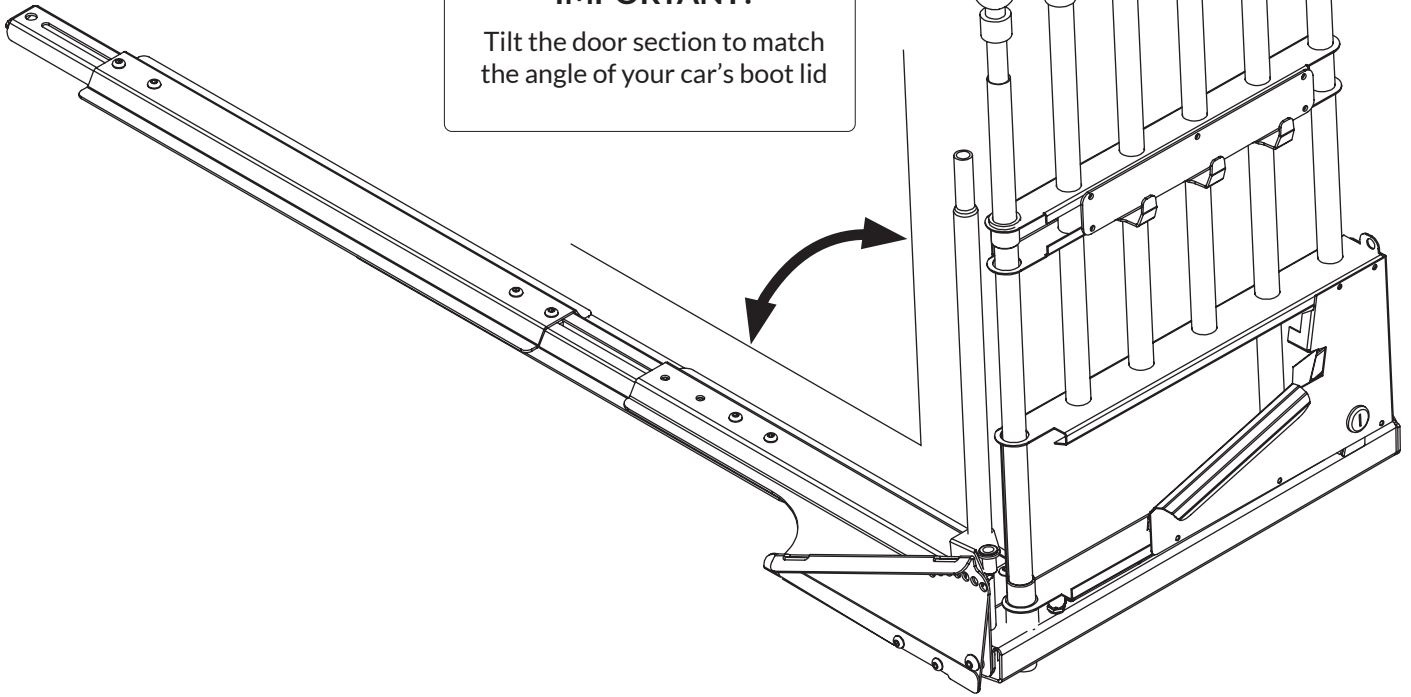
M-SM8X20IA
1X



STEP
7

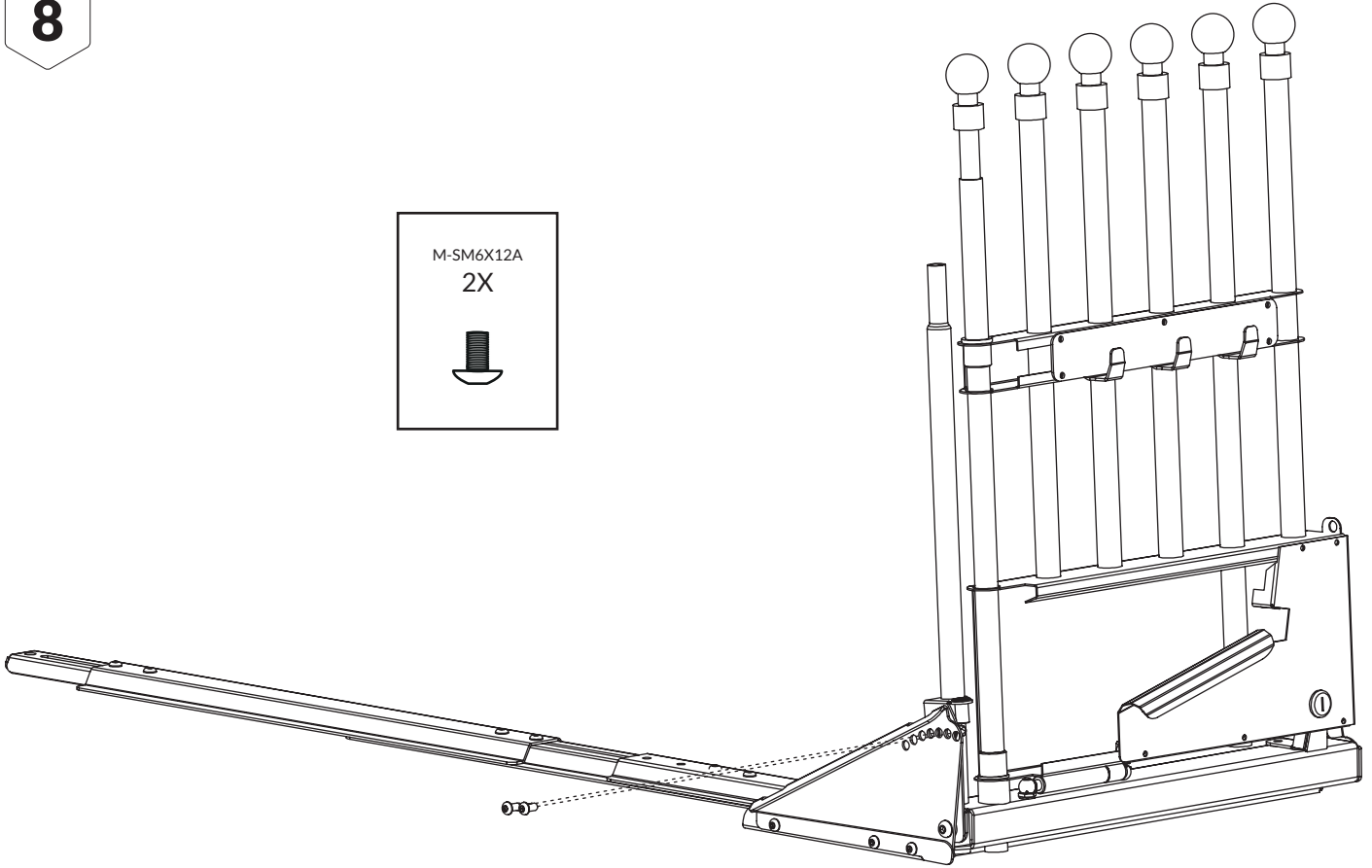


IMPORTANT!
Tilt the door section to match
the angle of your car's boot lid

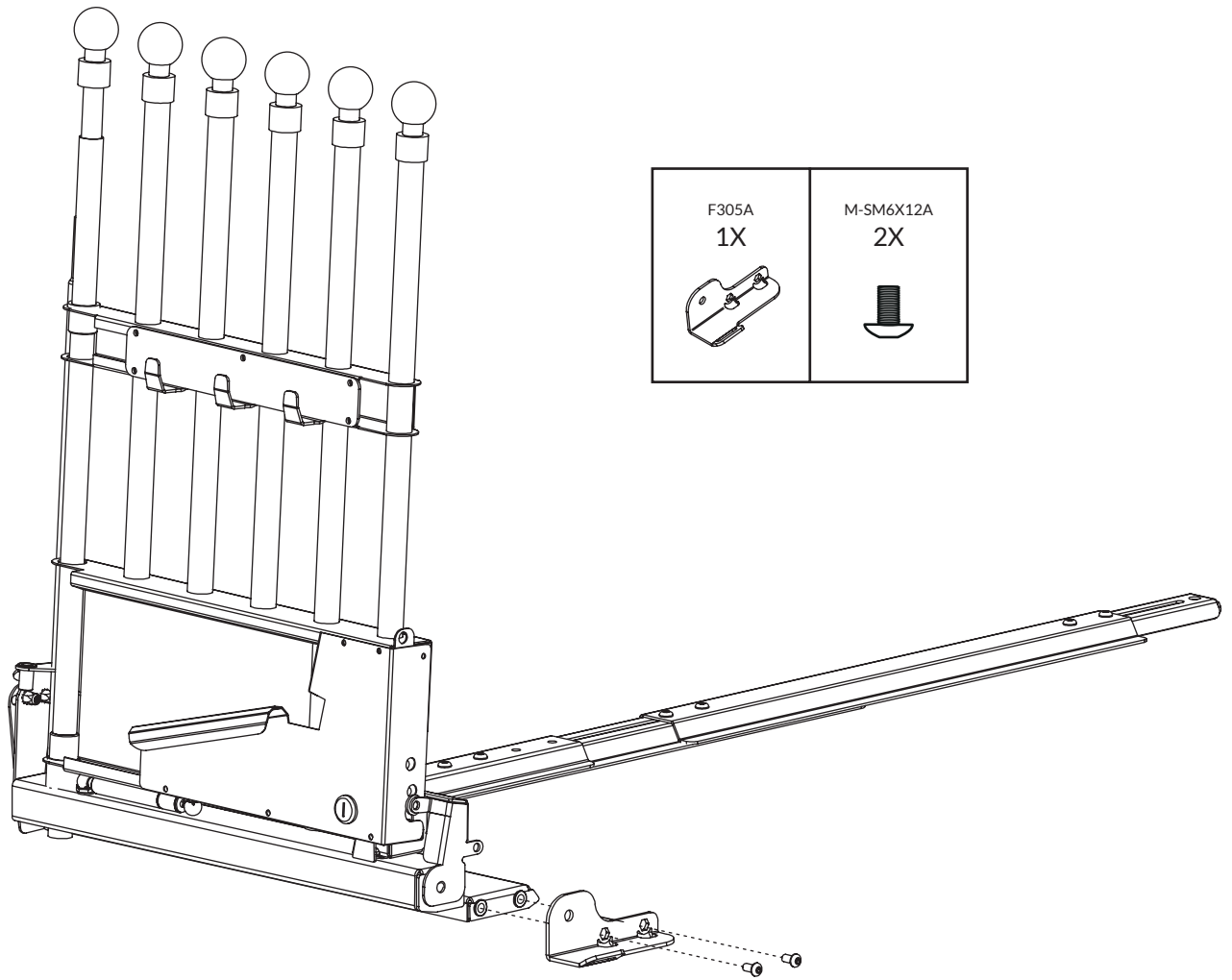


STEP
8

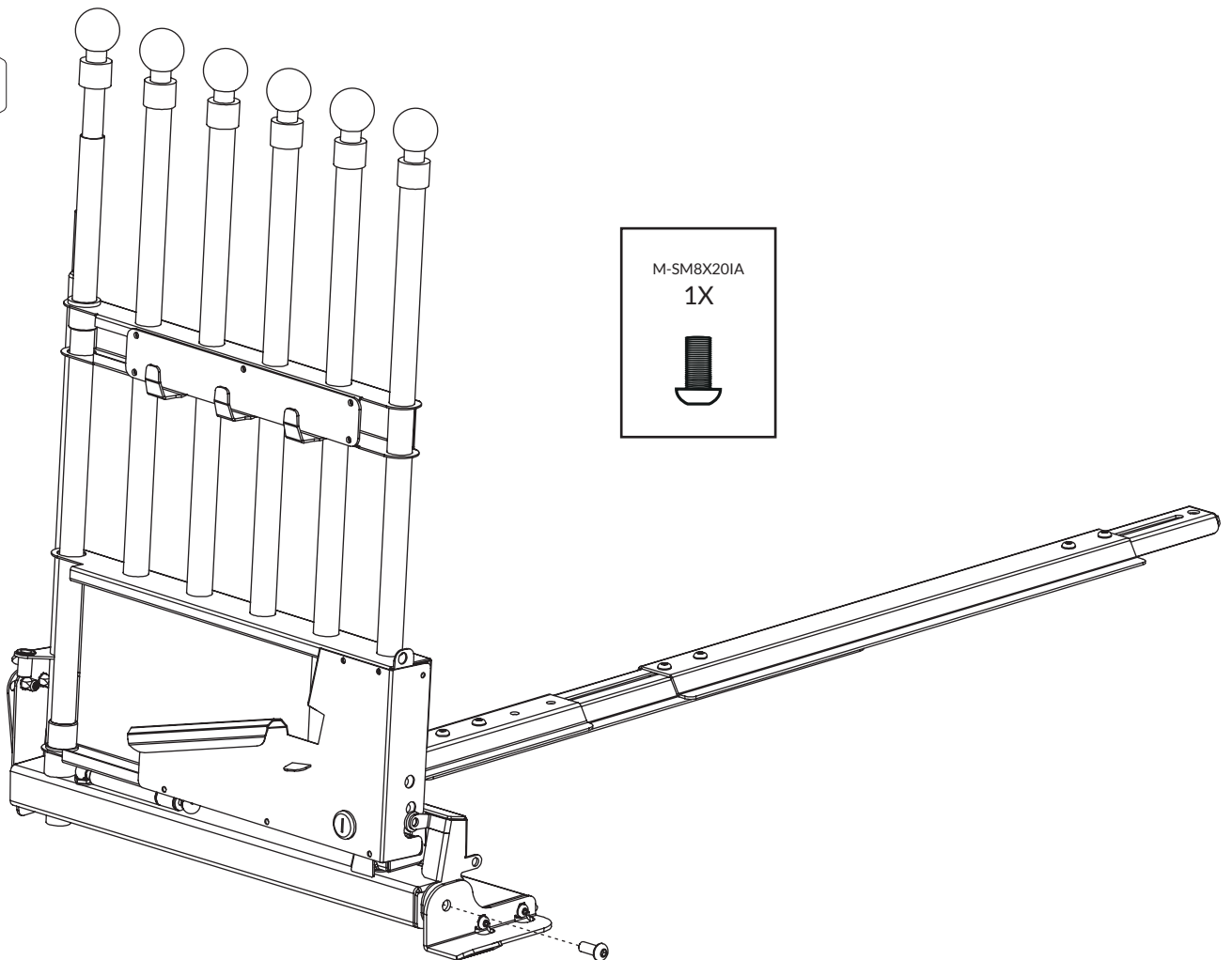
M-SM6X12A
2X



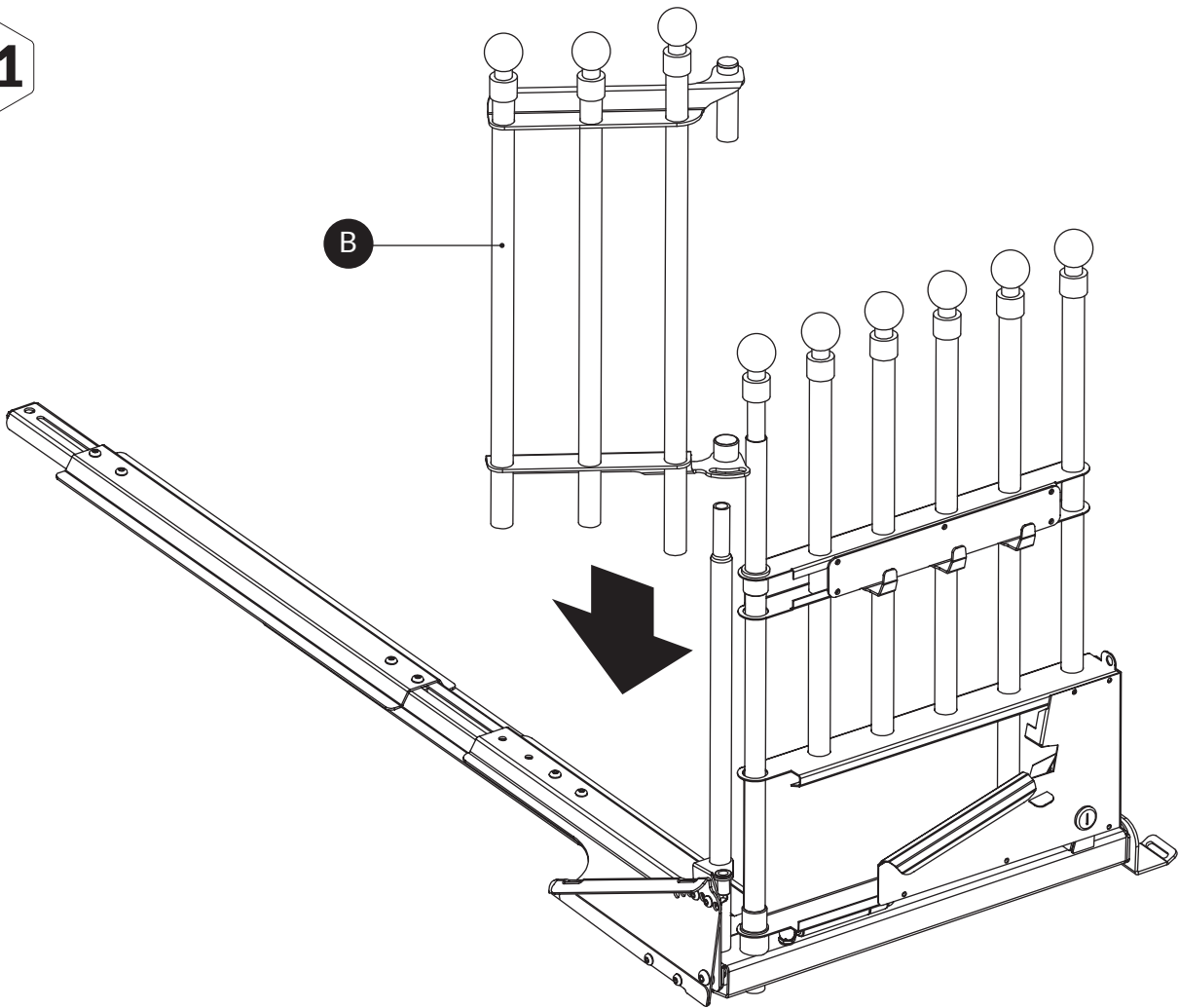
STEP
9



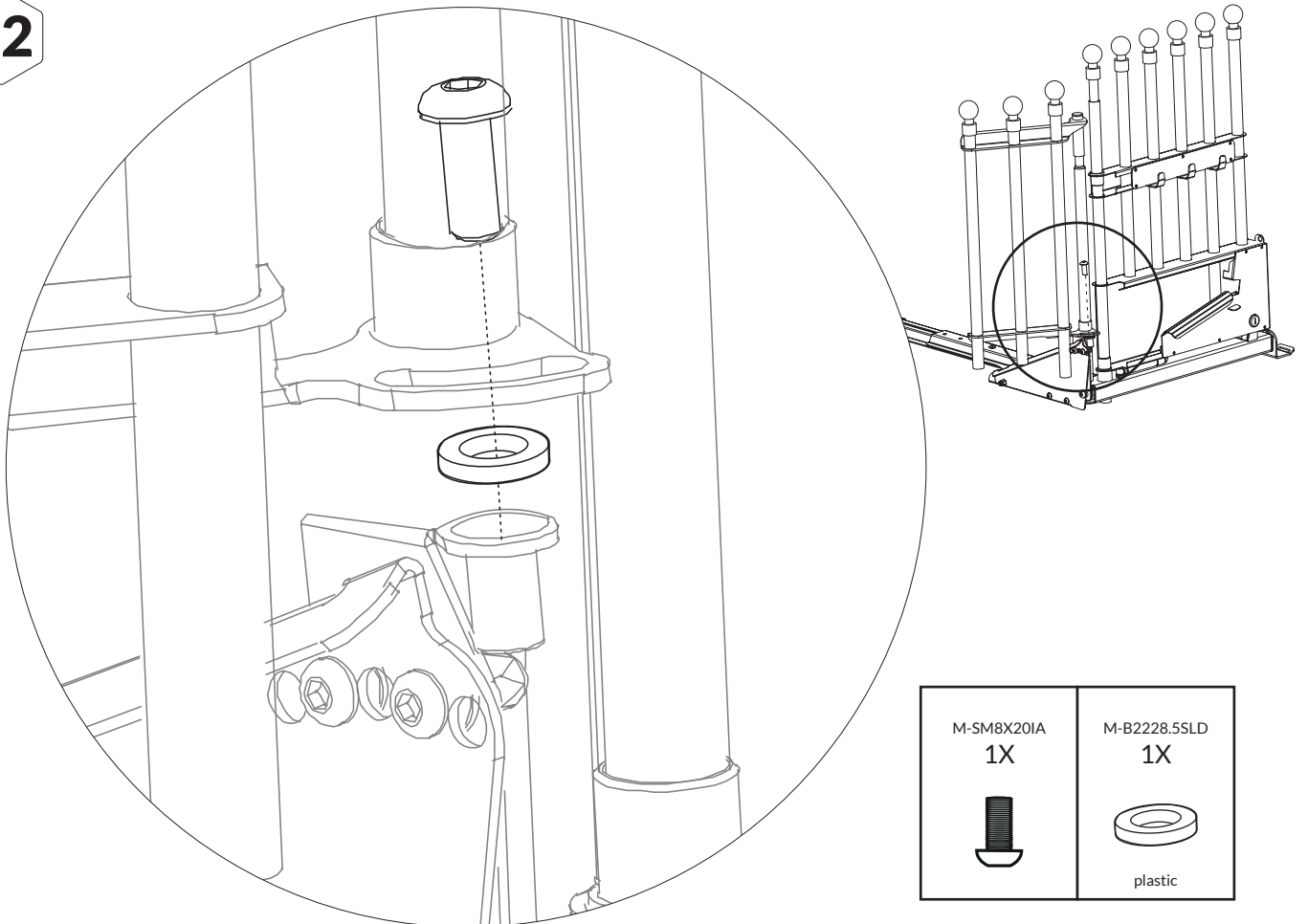
STEP
10



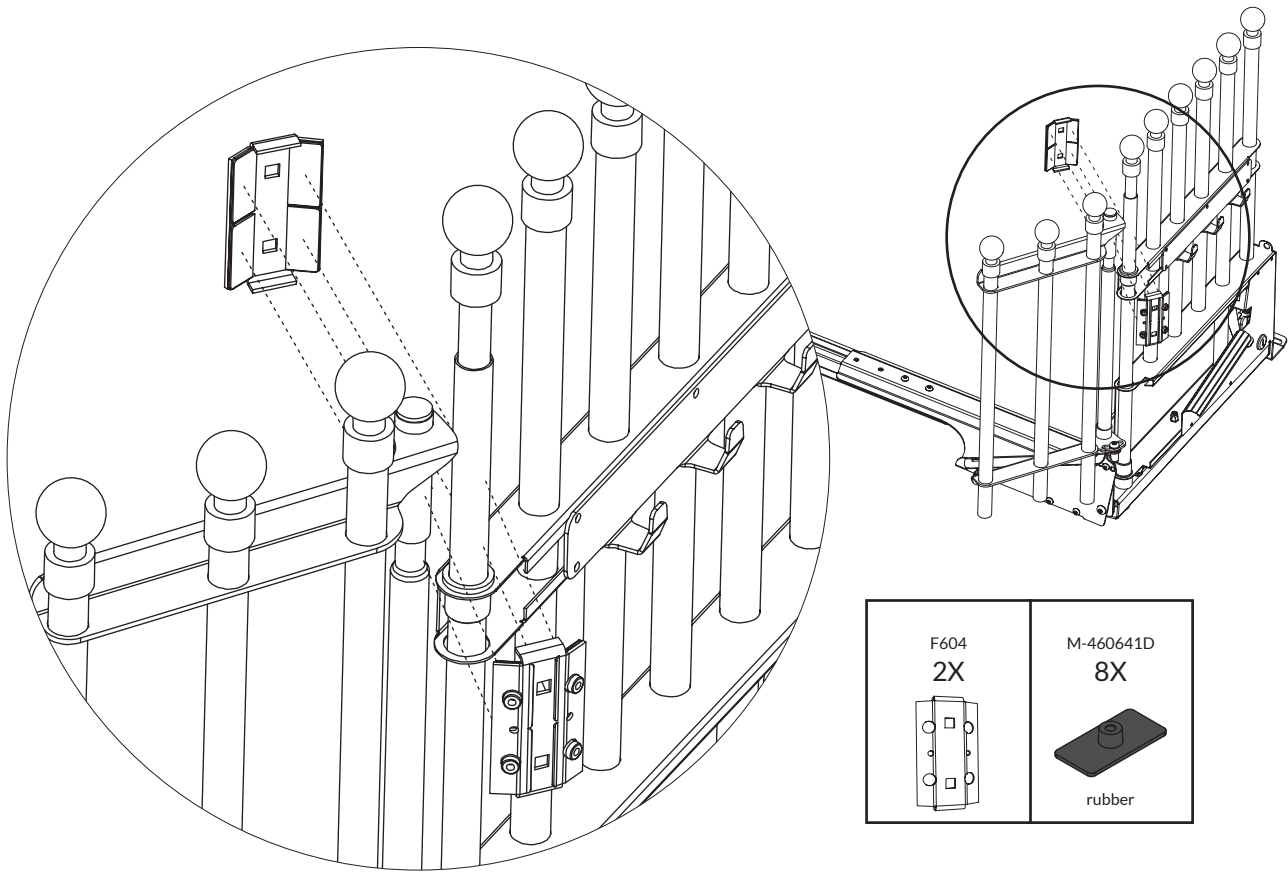
STEP
11



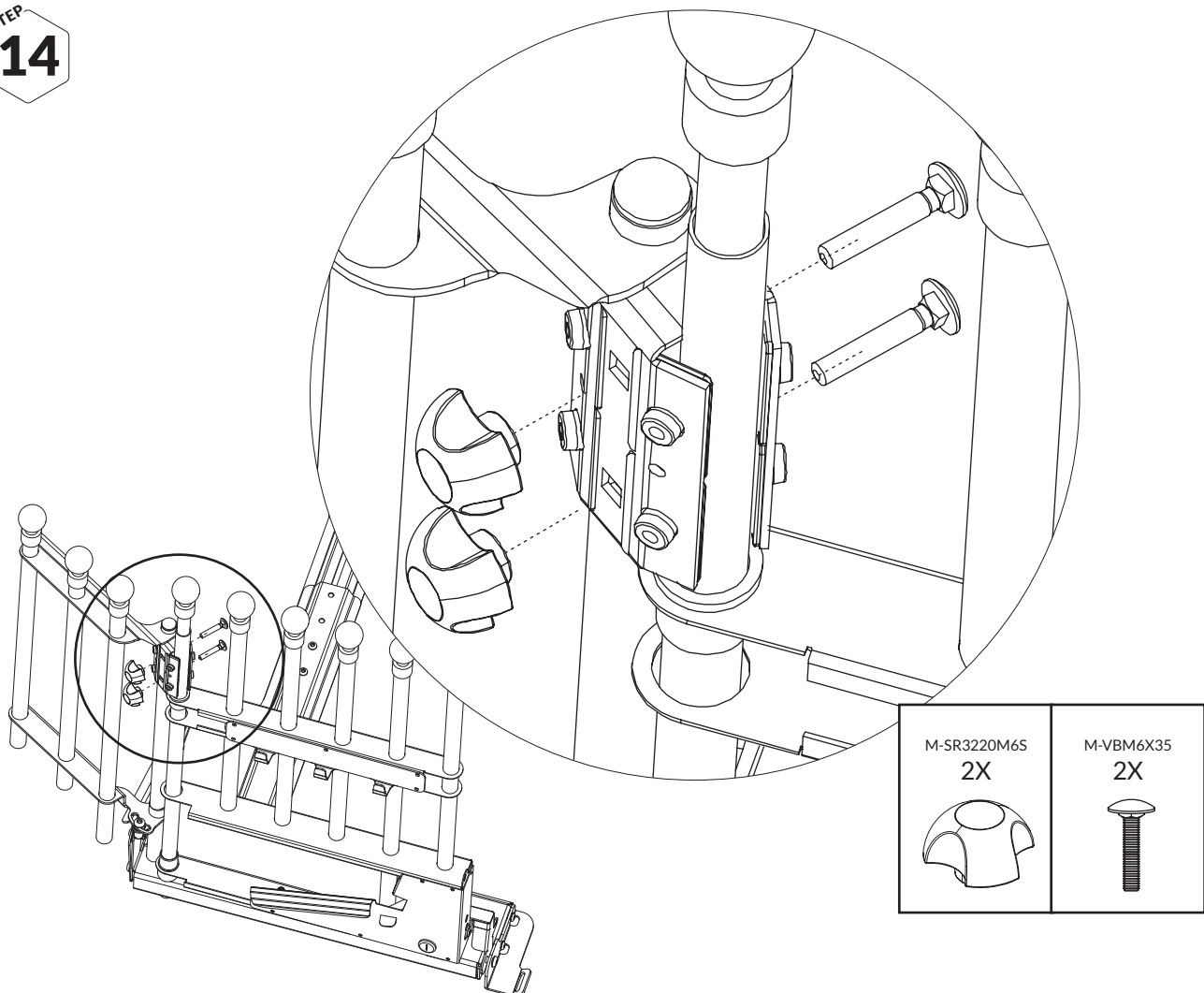
STEP
12



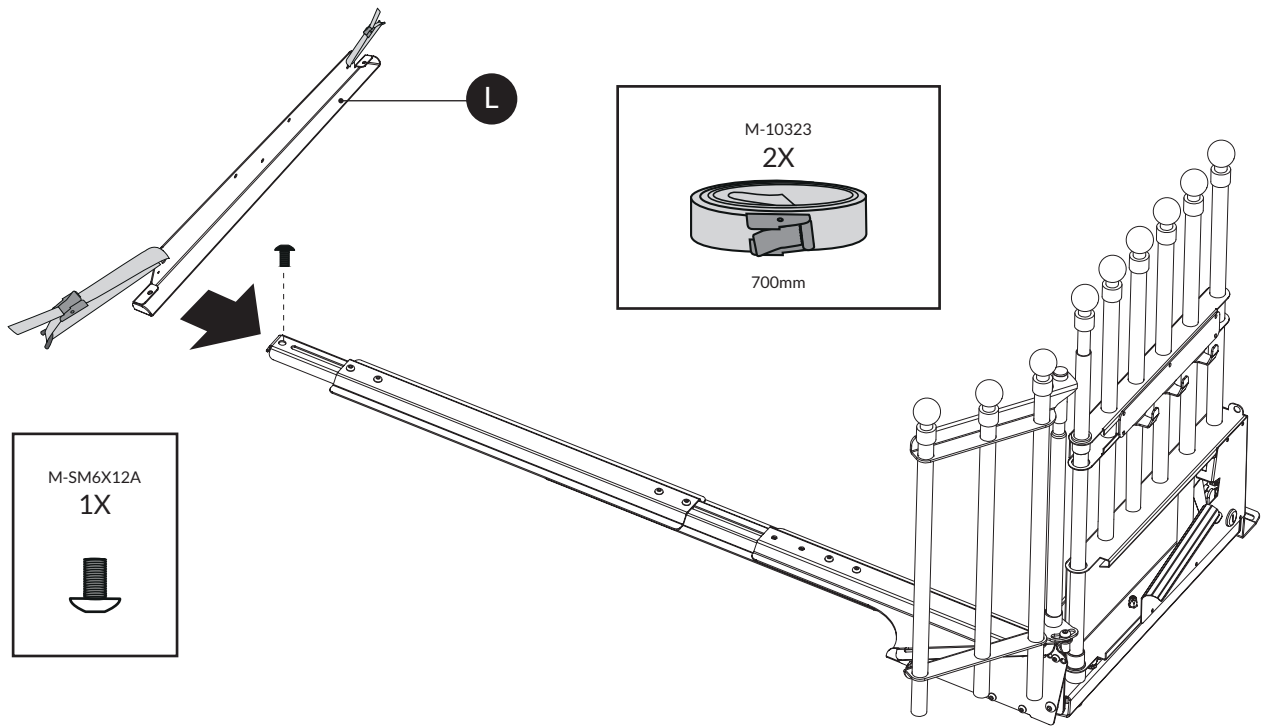
STEP
13



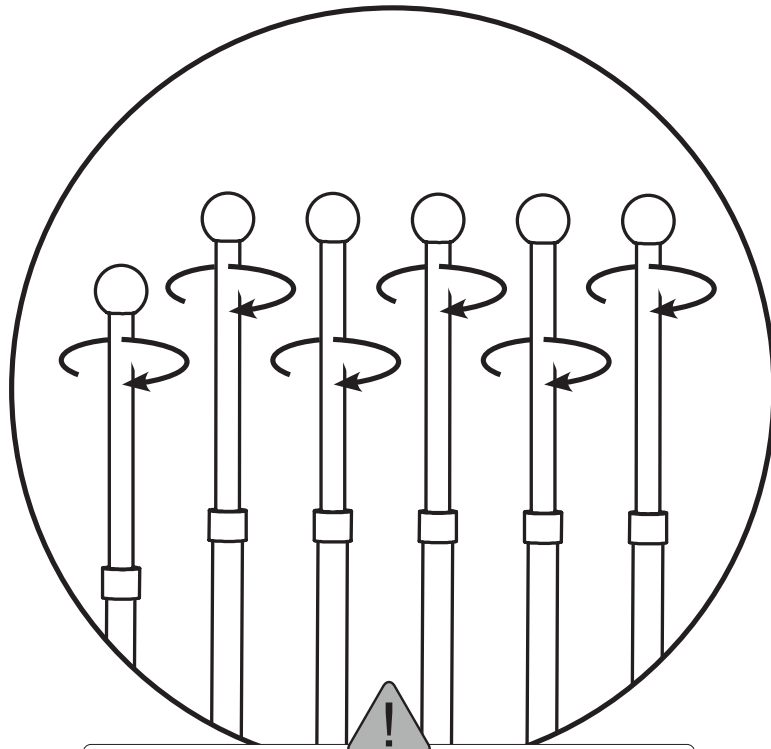
STEP
14



STEP
15



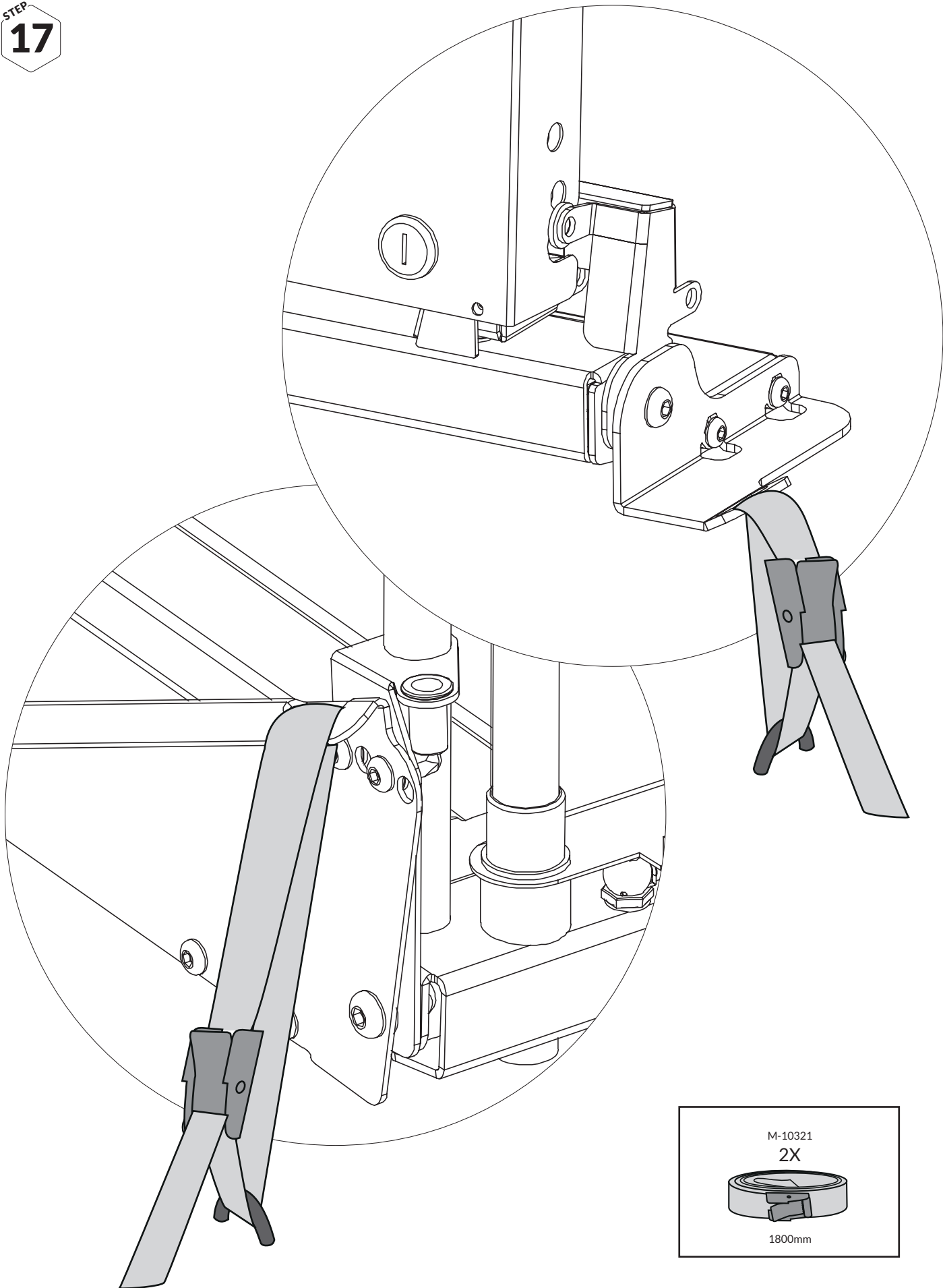
STEP
16



IMPORTANT!

If you have difficulties locking the telescopic tubes, take out the tube and tighten the expander bolt (in the bottom) slightly with your fingers before assembly. Make sure there is friction enough to tighten up the aluminum tube (clockwise) to avoid slide or rattling.

STEP
17



M-10321
2X
1800mm